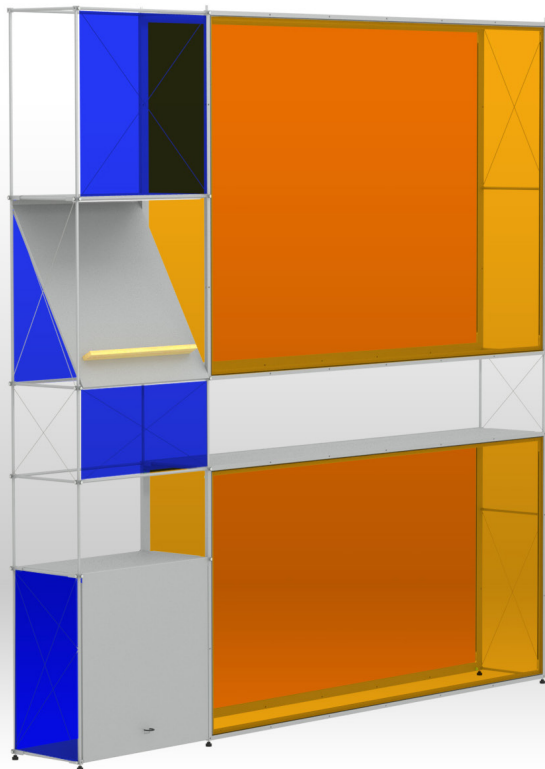


ALPHA

ASSEMBLING INSTRUCTIONS



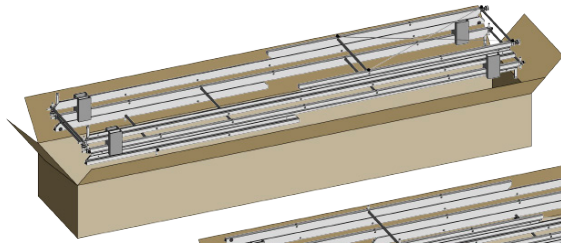


ALPHA

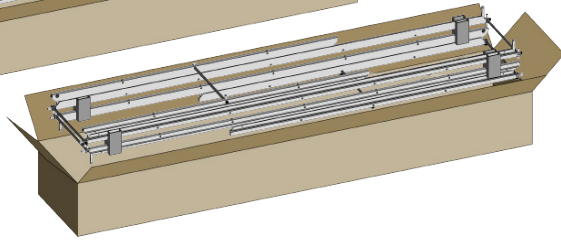
ASSEMBLING INSTRUCTIONS



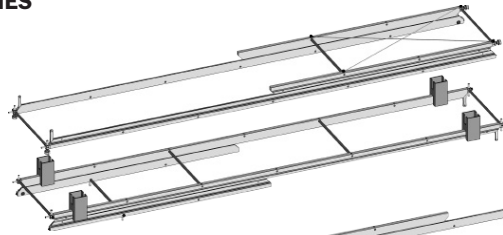
OPEN BOX 1



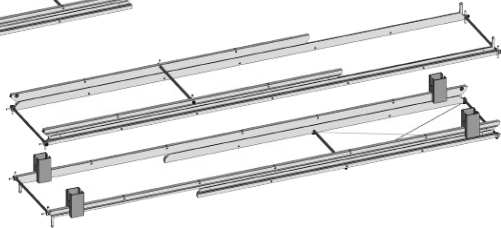
OPEN BOX 2



4 CLIC UP FRAMES



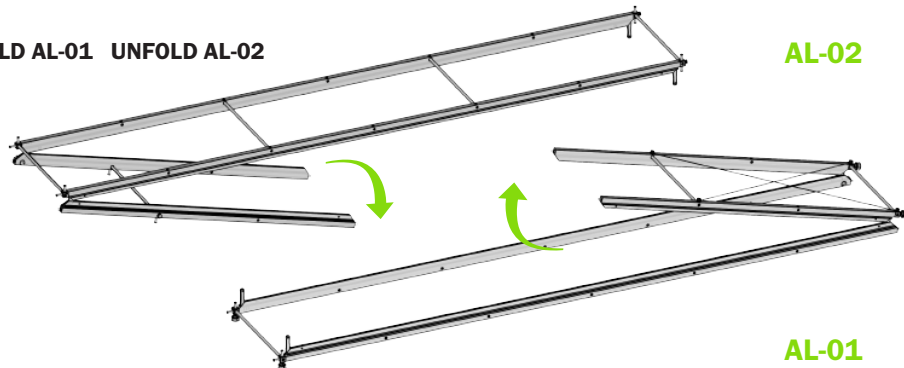
AL-01
AL-02



AL-03
AL-04

1

UNFOLD AL-01 UNFOLD AL-02

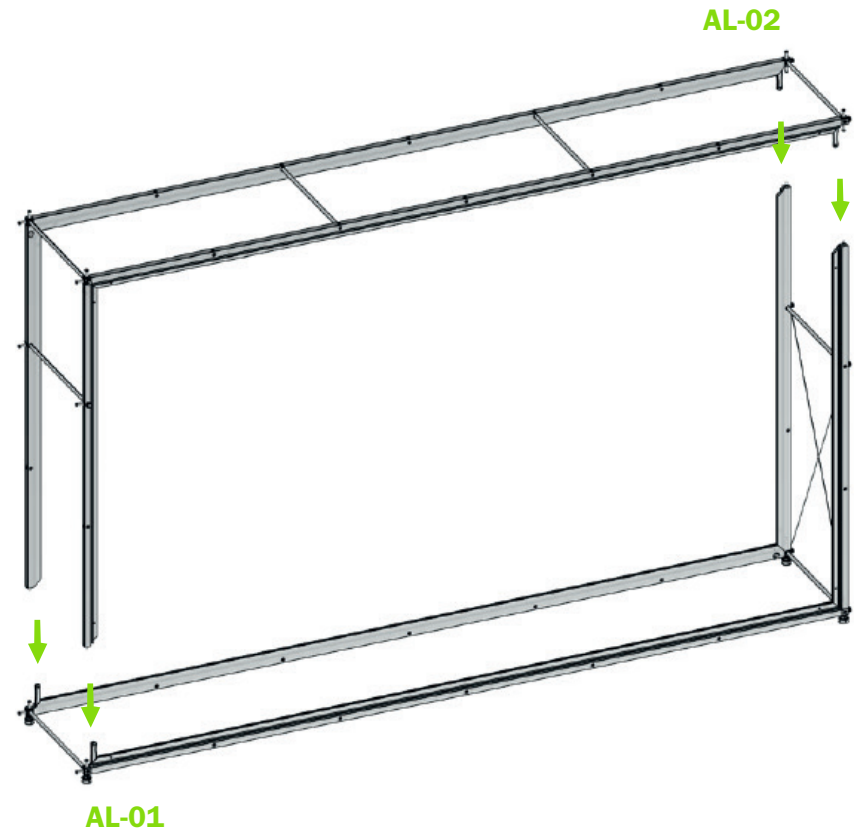
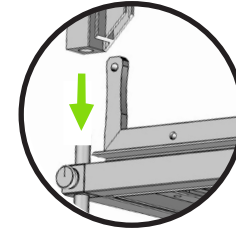


AL-02

AL-01

2

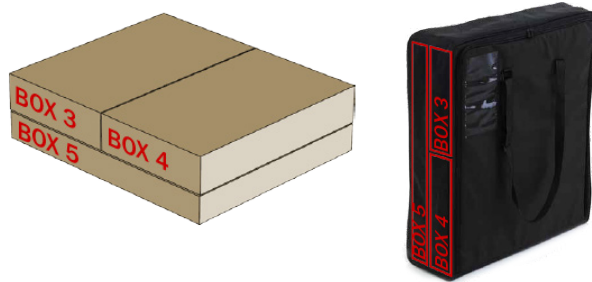
CONNECT AL-01 AND AL-02



ALPHA

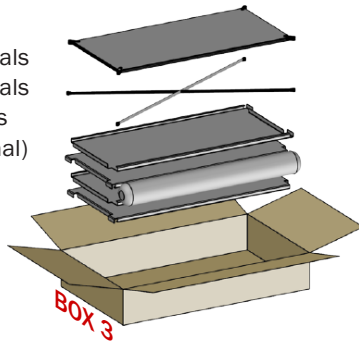
ASSEMBLING INSTRUCTIONS

SUPPLIES SOFT BAG AND BOXES



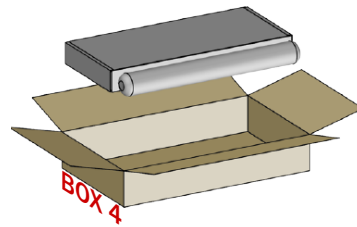
CARTON BOX 3

A30 x A60 cm vinyls
A30 x A60 cm diagonals
A30 x A30 cm diagonals
A30 x A60 cm shelves
LED spot tube (optional)



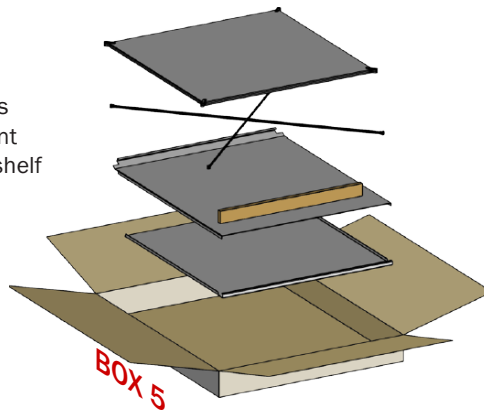
CARTON BOX 4

Material Box
LED spot tube (optional)



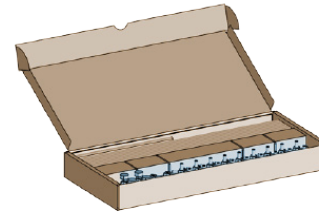
CARTON BOX 5

A60 x A60 cm vinyls
A60 x A60 cm diagonals
A60 x A60 cm drop front
A60 x A60 cm slanted shelf



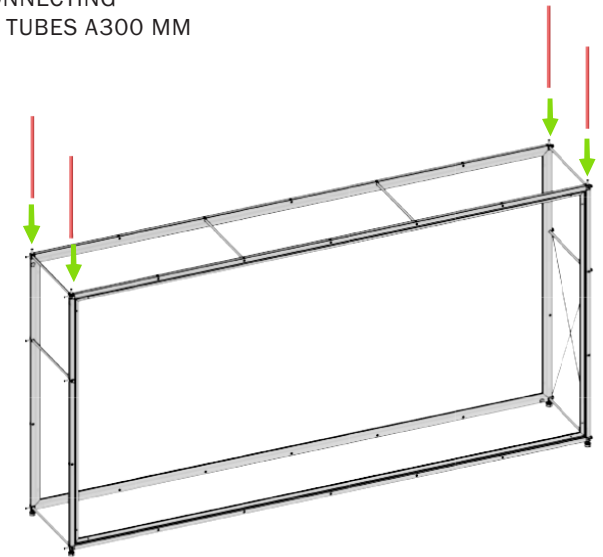
3

CONNECT CLIC TUBES MAGNETICLY WITH AL-02



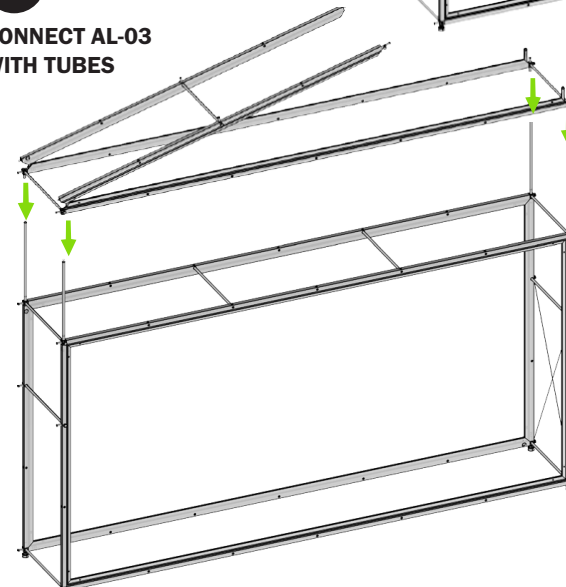
4 CONNECTING
CLIC TUBES A300 MM

MATERIAL BOX WITH:
clic cubes,
height adjusters
tubes A600 x ø 10 mm
tubes A300 x ø 10 mm



4

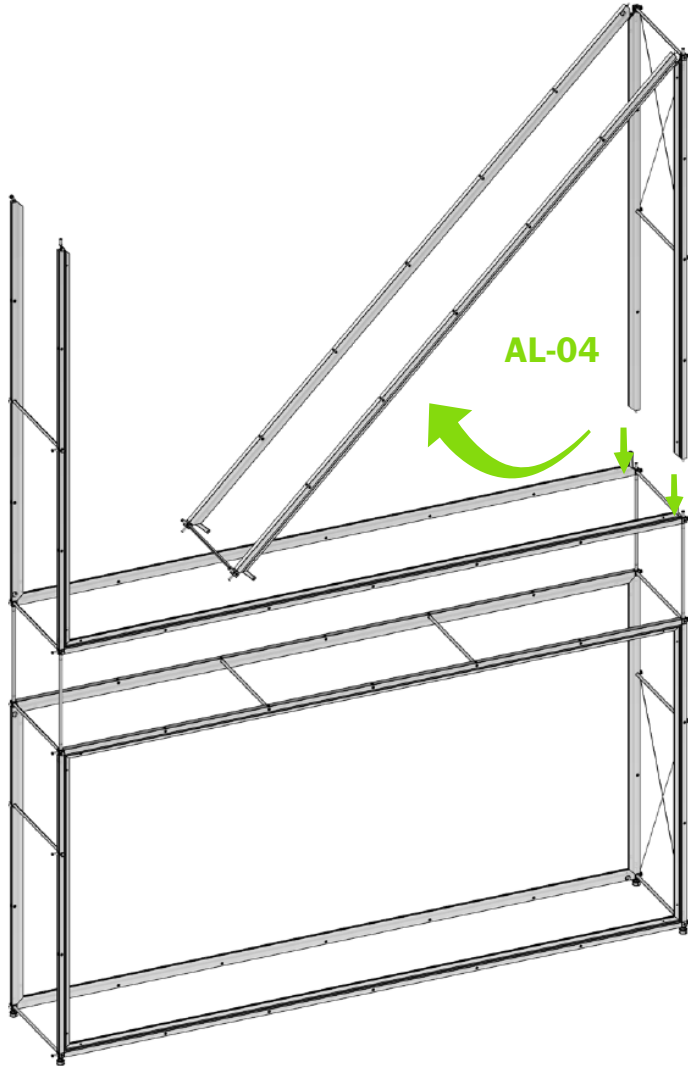
CONNECT AL-03 WITH TUBES





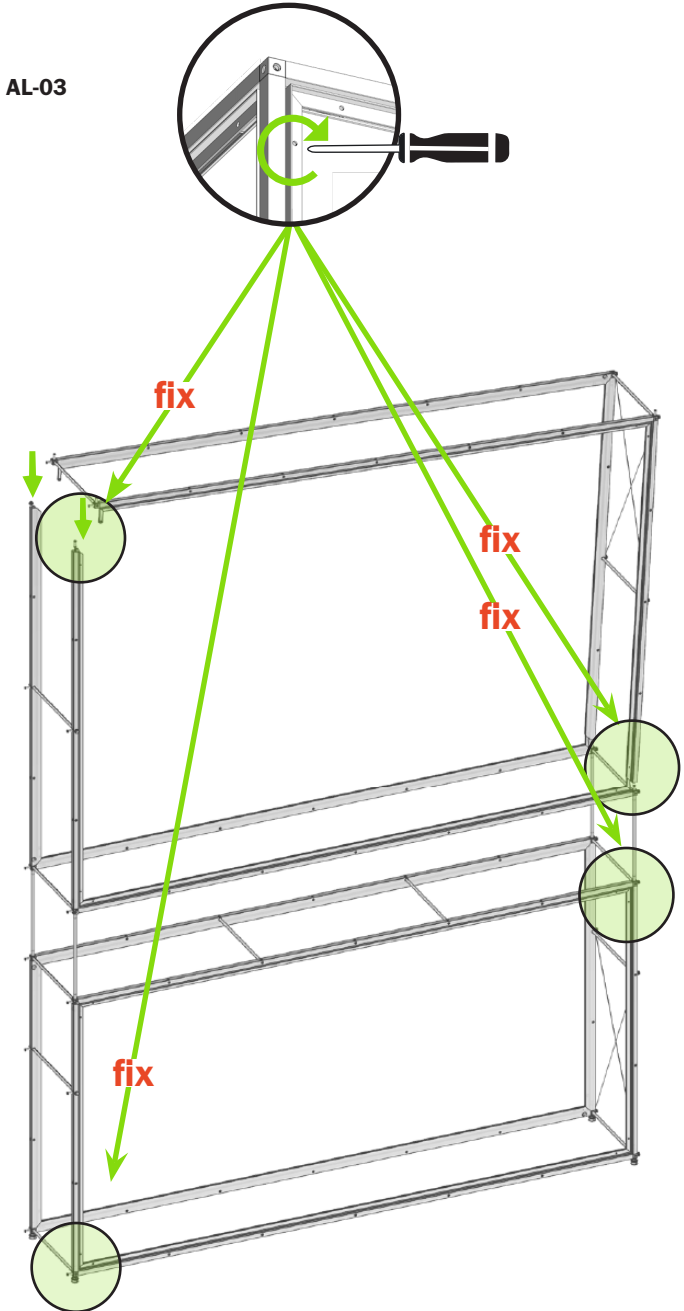
5

CONNECT AL-04 FIRST THEN LIFT FRAME



6

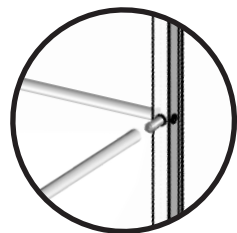
CONNECT AL-04 TO AL-03





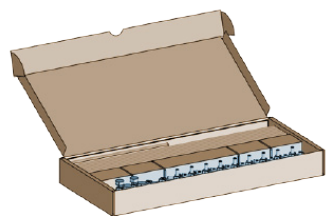
7

**CONNECT CLIC TUBES
MAGNETICALLY WITH THE FRAME**



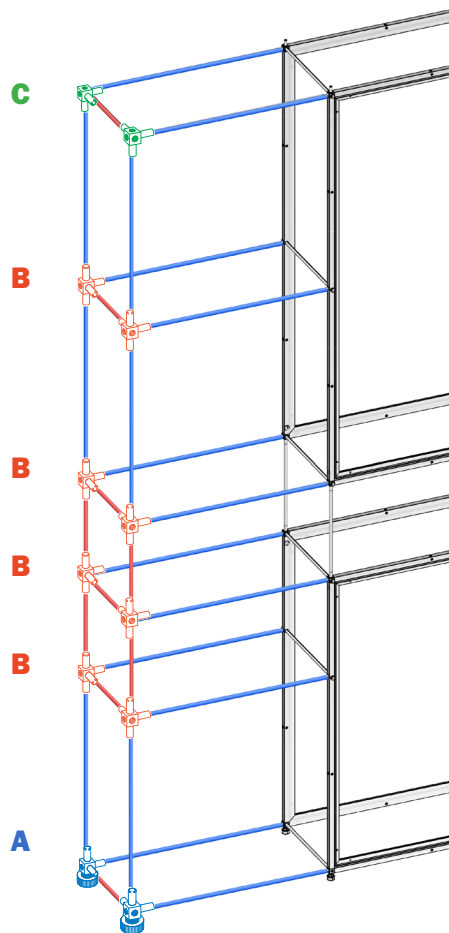
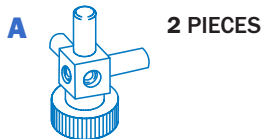
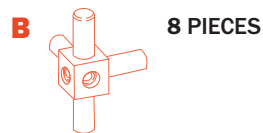
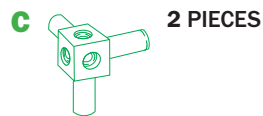
A600 mm 

A300 mm 



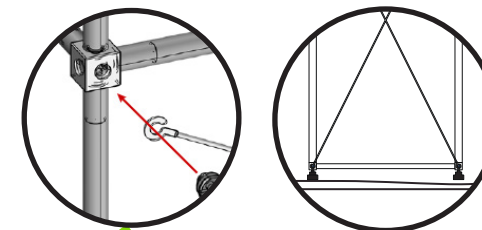
MATERIAL BOX WITH:

- clic cubes,
- height adjusters
- tubes A600 x \varnothing 10 mm
- tubes A300 x \varnothing 10 mm



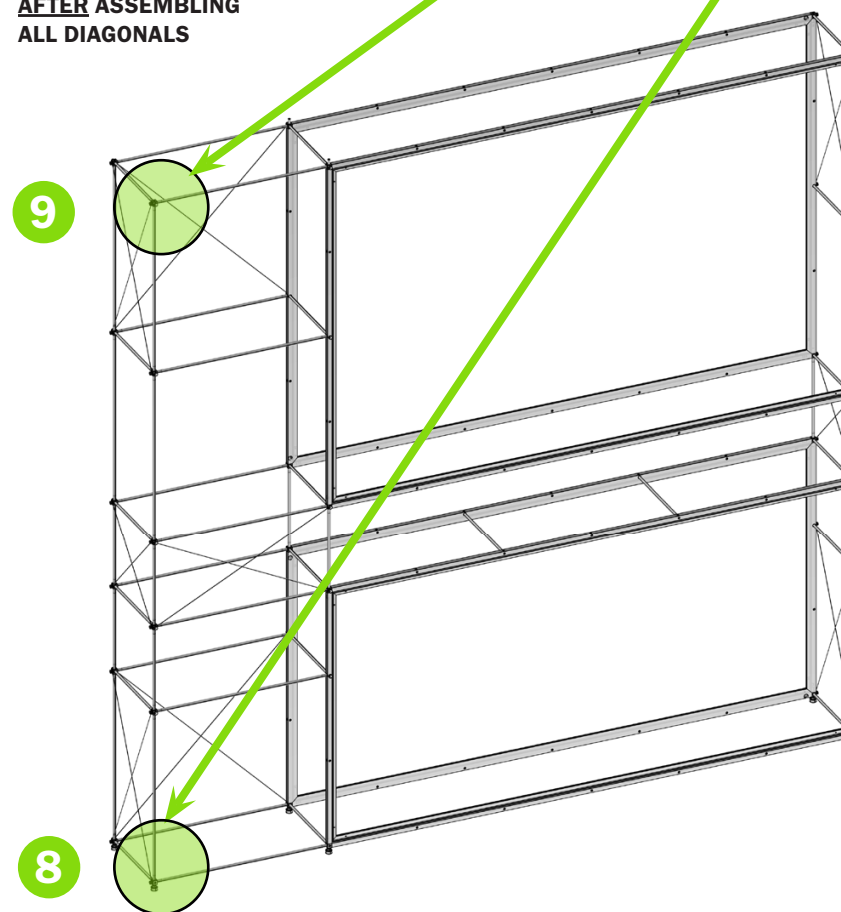
8

**ADJUST HEIGHT
BEFORE ASSEMBLING
DIAGONALS**



9

**TIGHTEN SCREWS
AFTER ASSEMBLING
ALL DIAGONALS**

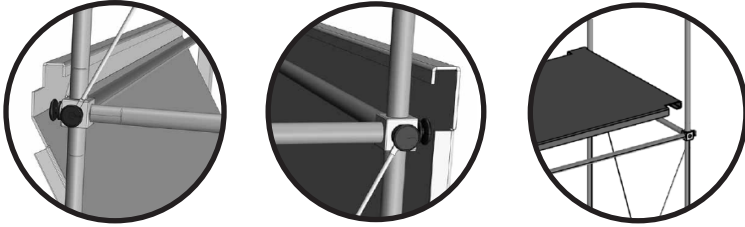


ALPHA

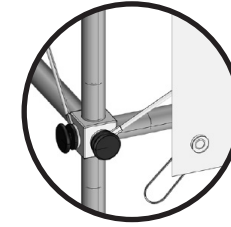
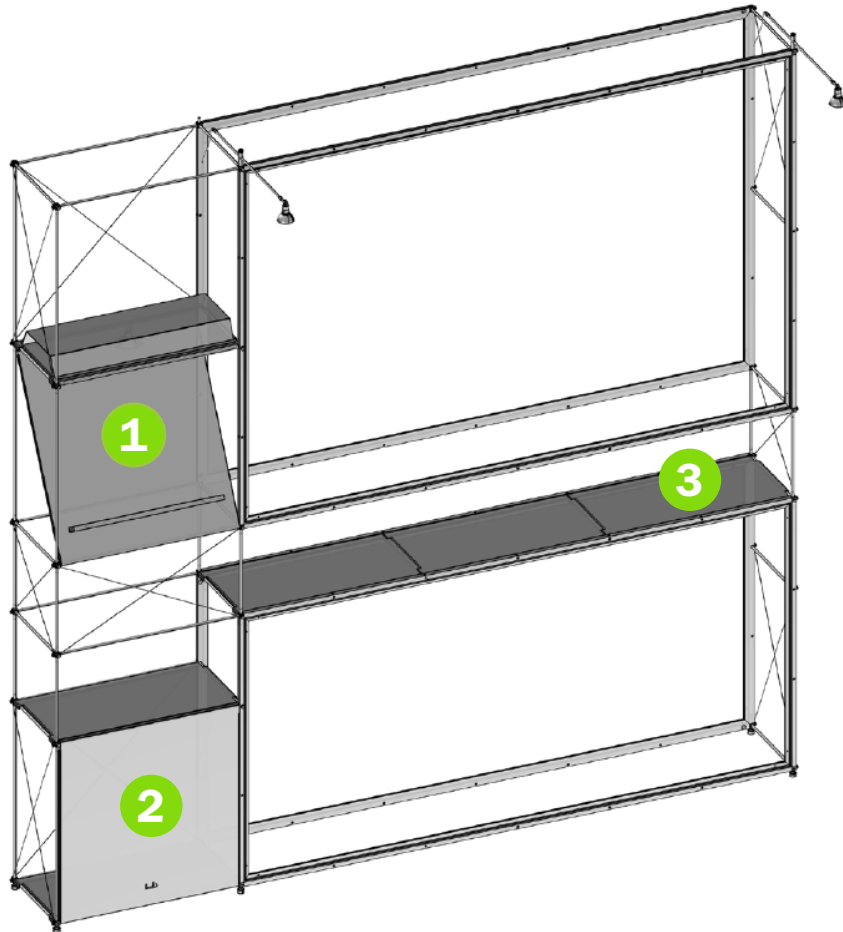
ASSEMBLING INSTRUCTIONS

10

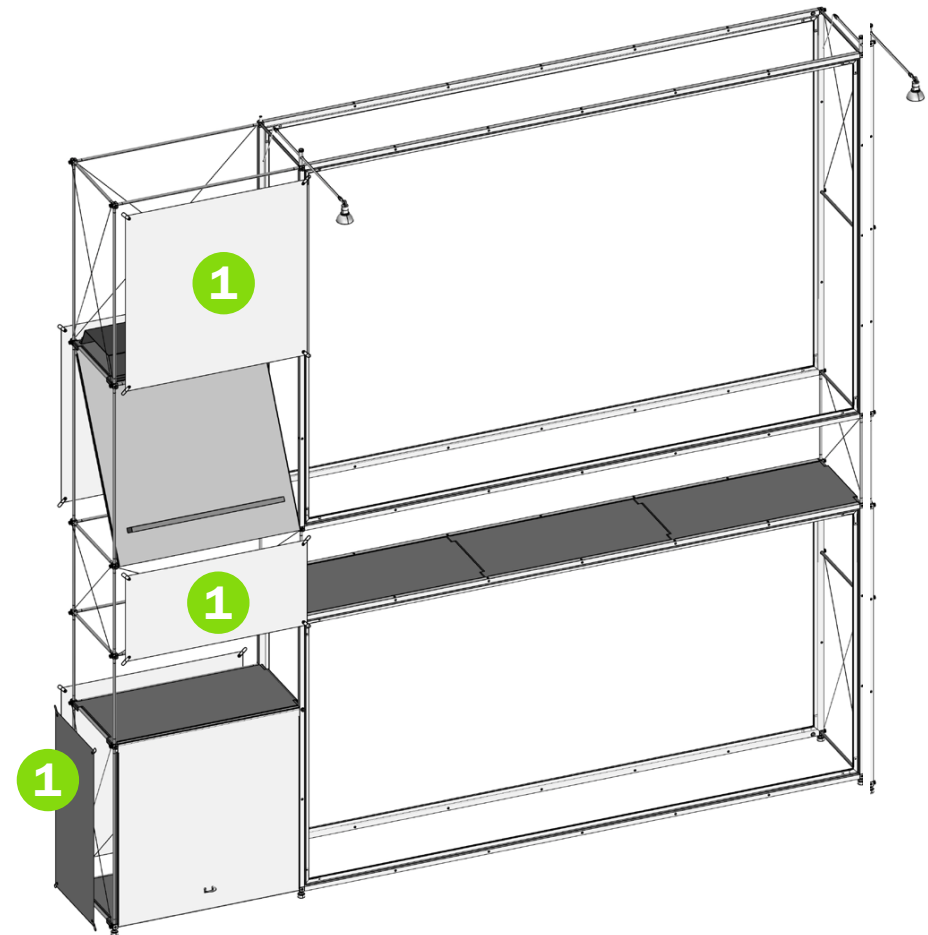
EQUIP THE UNIT



- 1 ASSEMBLE SLANTED SHELVES
- 2 ASSEMBLE DROP FRONT
- 3 ASSEMBLE SHELVES



- 1 ATTACH VINYL PANELS USING ELASTIC O-RINGS



ALPHA

ASSEMBLING INSTRUCTIONS
