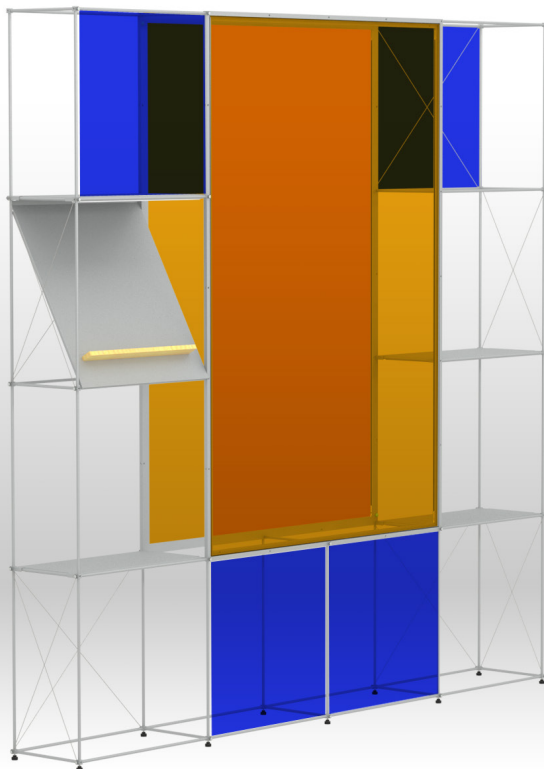


JULIET

ASSEMBLING INSTRUCTIONS



JULIET

ASSEMBLING INSTRUCTIONS

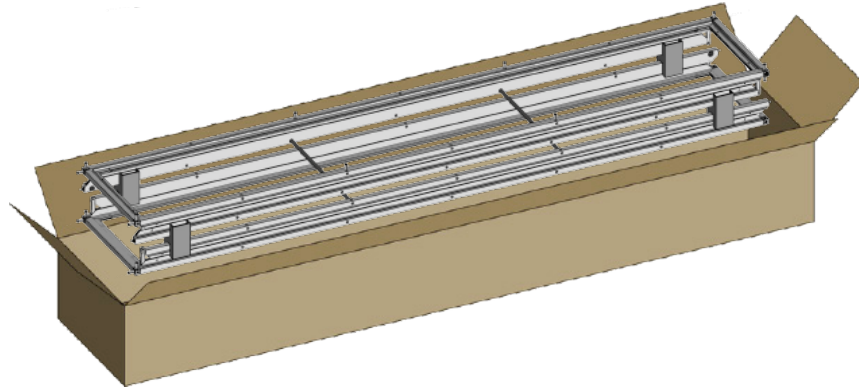


JULIET

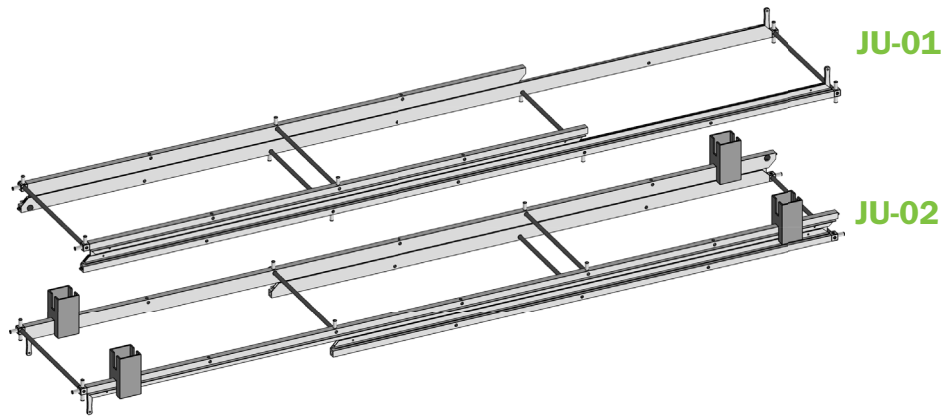
ASSEMBLING INSTRUCTIONS



OPEN BOX 1

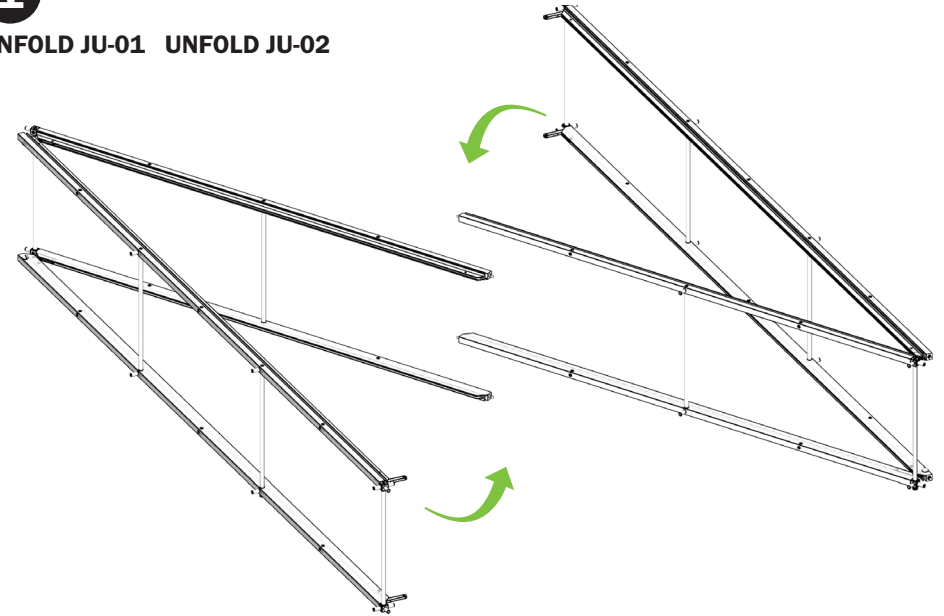


FRAMES JU-01 / JU-02



1

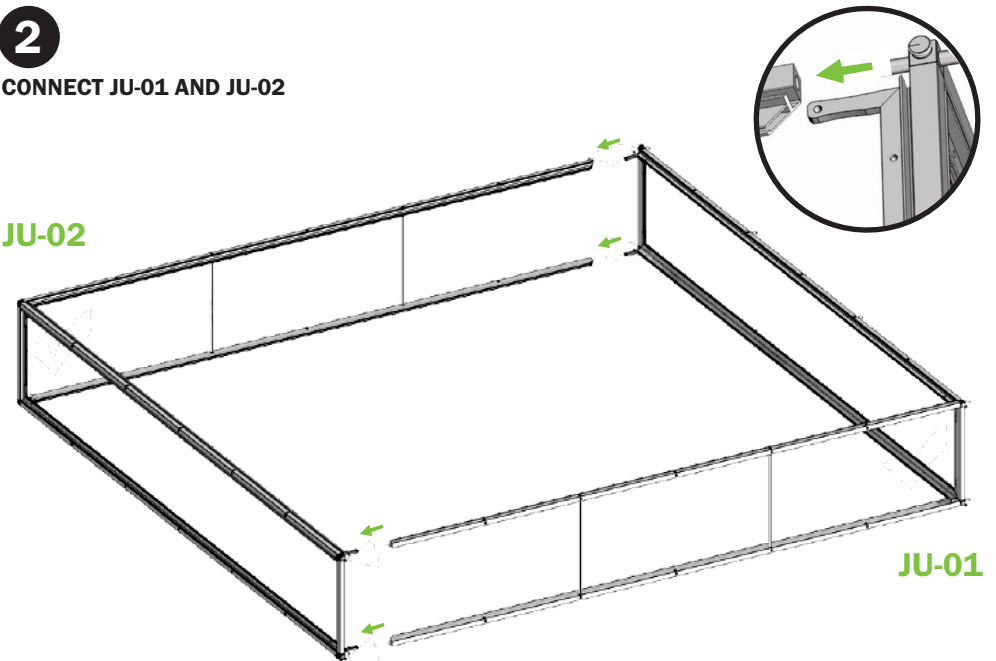
UNFOLD JU-01 UNFOLD JU-02



2

CONNECT JU-01 AND JU-02

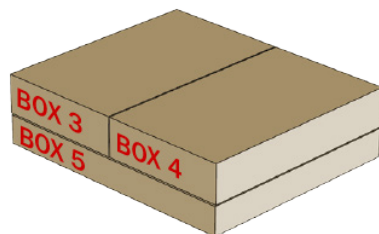
JU-02



JULIET

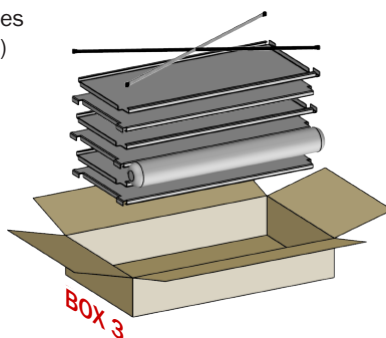
ASSEMBLING INSTRUCTIONS

SUPPLIES SOFT BAG AND BOXES



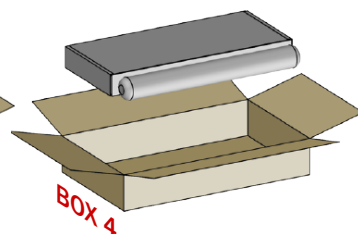
CARTON BOX 3

A30 cm x A60 cm diagonals
A30 cm x A60 cm shelves
LED spot tube (optional)



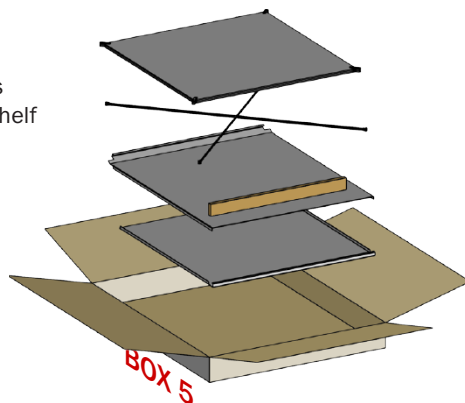
CARTON BOX 4

Material Box
LED spot tube (optional)



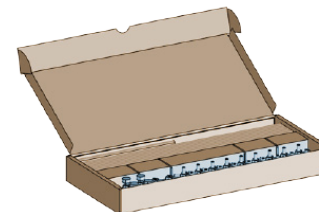
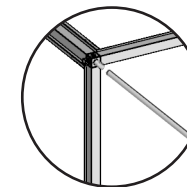
CARTON BOX 5

A60 cm x A60 cm vinyls
A60 cm x A60 cm diagonals
A60 cm x A60 cm slanted shelf



3

CONNECT CLIC TUBES MAGNETICALLY WITH AL-02

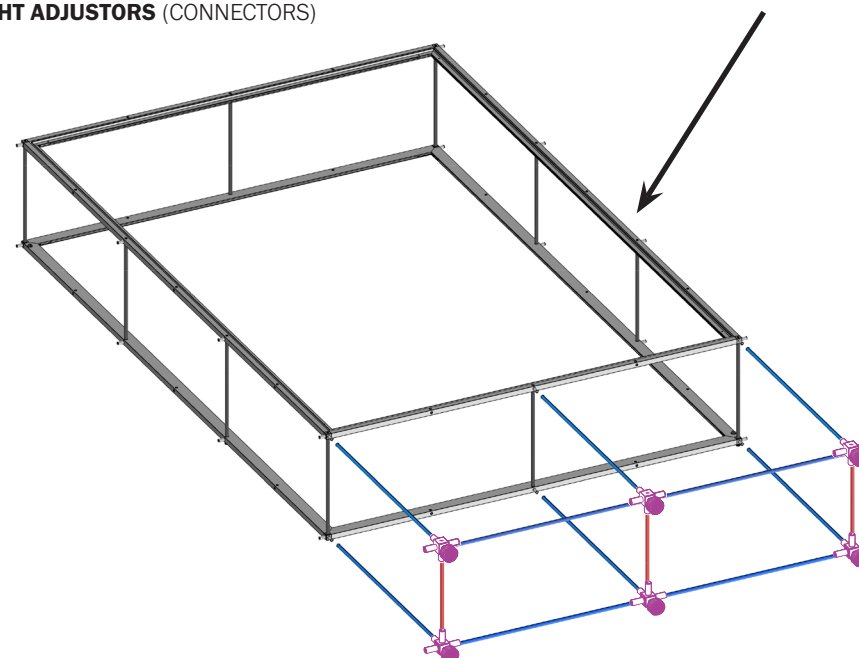


MATERIAL BOX WITH:

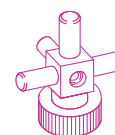
clic cubes,
height adjusters
tubes A600 x ø10 mm
tubes A300 x ø10 mm

CONNECT CLIC TUBES MAGNETICALLY WITH HEIGHT ADJUSTERS (CONNECTORS)

SIDE WITH CLIC PINS



6 PIECES

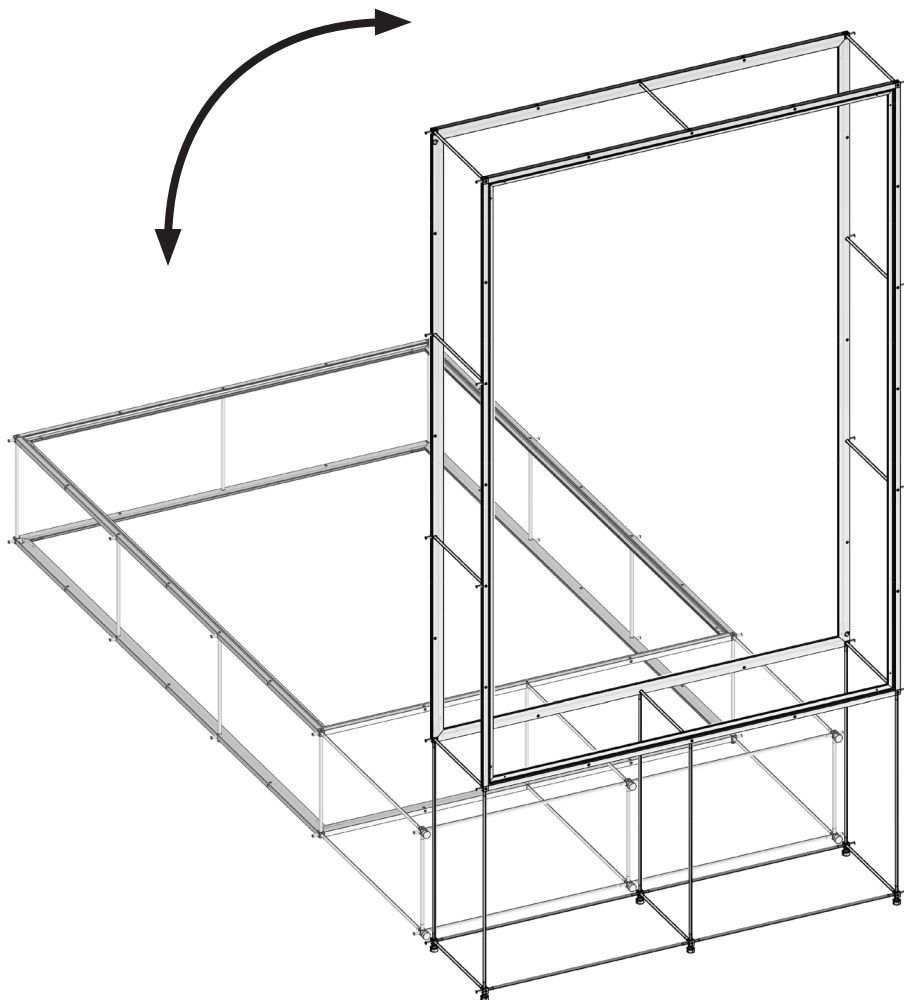


JULIET

ASSEMBLING INSTRUCTIONS

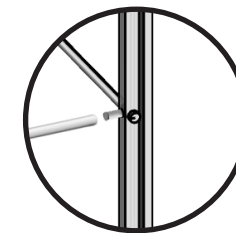
4

LIFT THE UNIT UP



5

CONNECT CLIC TUBES
MAGNETICALLY WITH FRAME



A600 mm



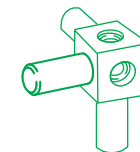
A300 mm



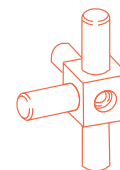
MATERIAL BOX WITH:

clic cubes,
height adjusters
tubes A600 x ø10 mm
tubes A300 x ø10 mm

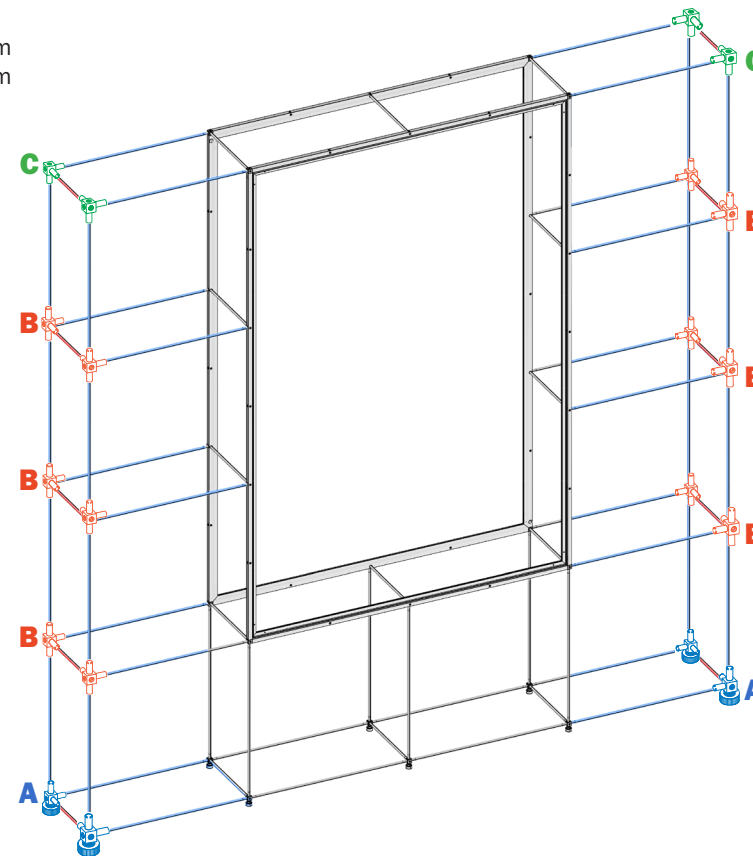
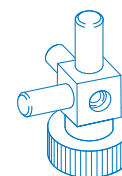
4 PIECES **C**



12 PIECES **B**



4 PIECES **A**



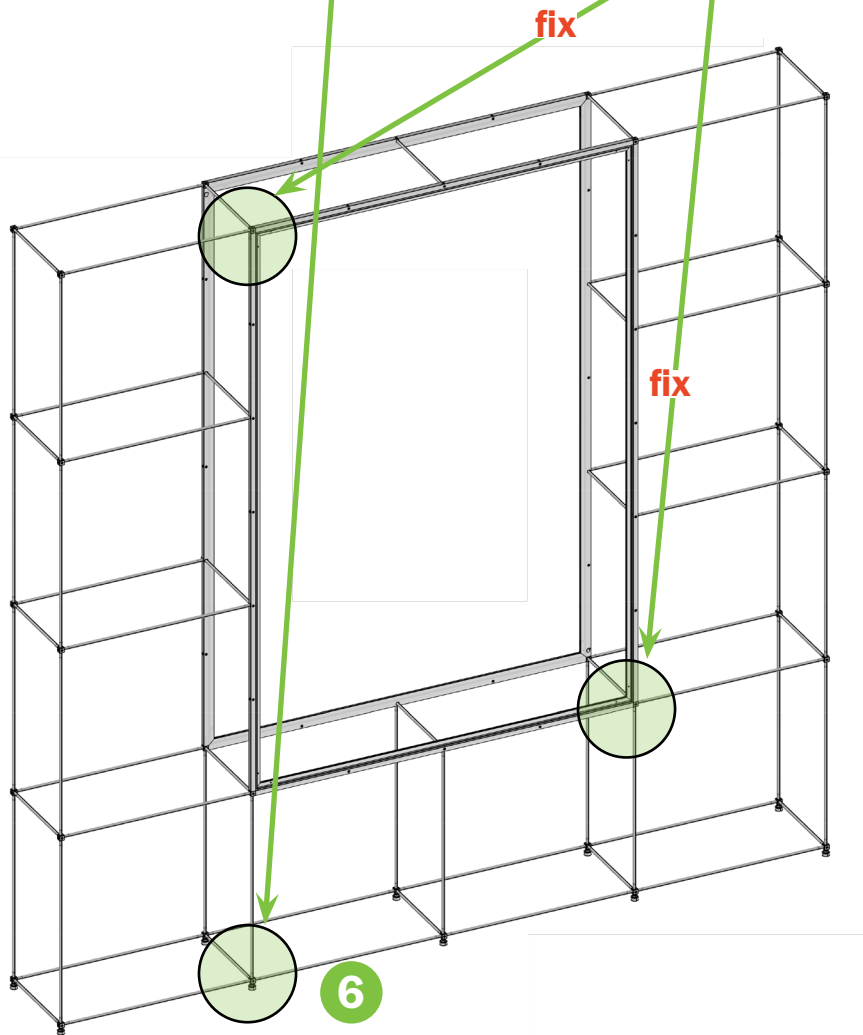
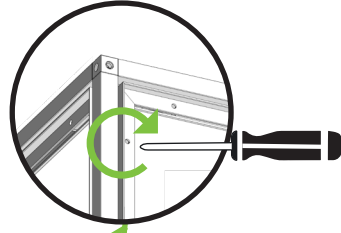
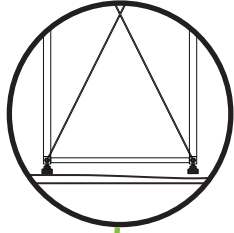
JULIET

ASSEMBLING INSTRUCTIONS



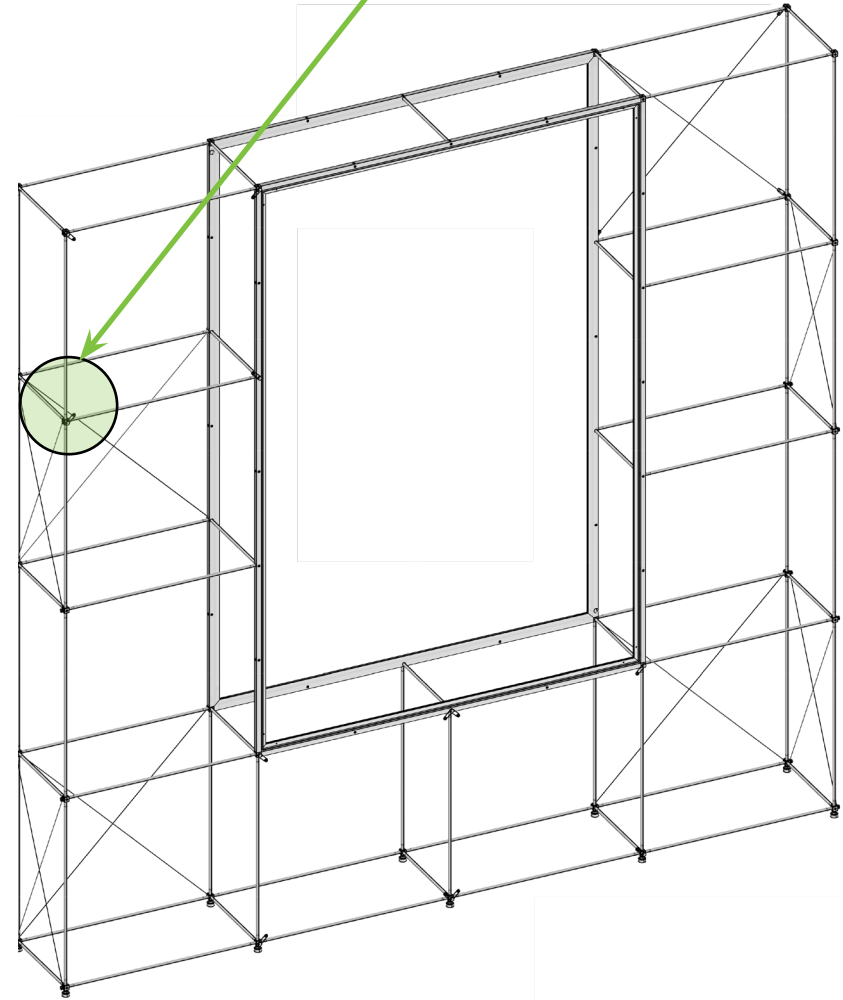
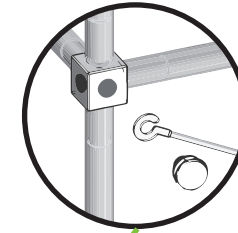
6

**ADJUST HEIGHT
BEFORE ASSEMBLING
DIAGONALS**



7

**TIGHTEN SCREWS
AFTER ASSEMBLING
ALL DIAGONALS**



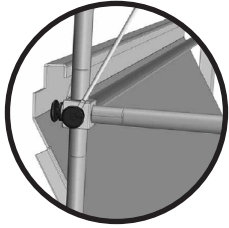
JULIET

ASSEMBLING INSTRUCTIONS



8

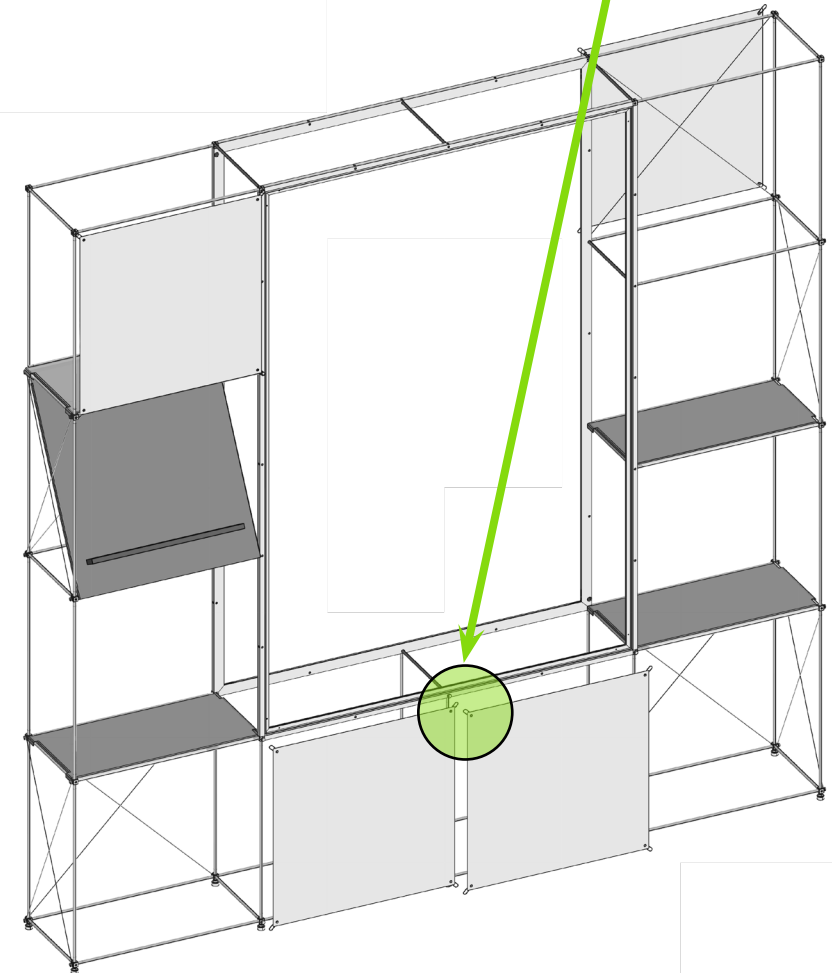
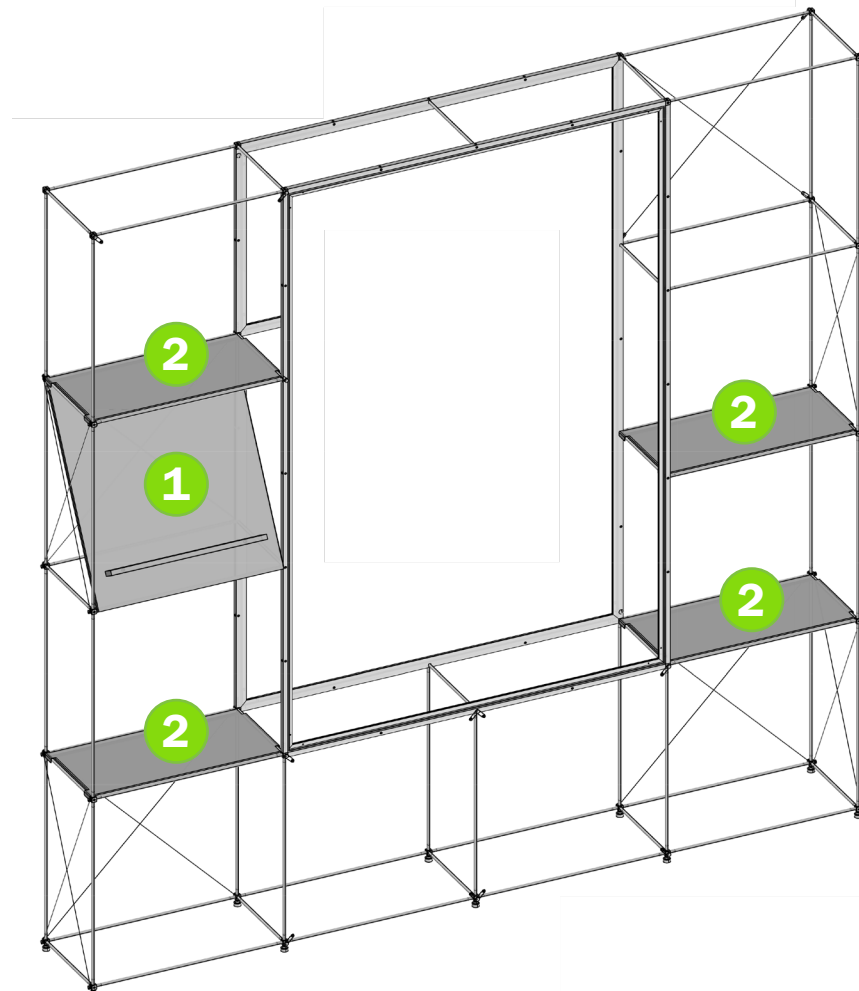
EQUIPE THE UNIT



1 ASSEMBLE SLANTED SHELVES

2 ASSEMBLE SHELVES

3 ATTACH VINYL PANELS USING ELASTIC O-RINGS



JULIET

ASSEMBLING INSTRUCTIONS
